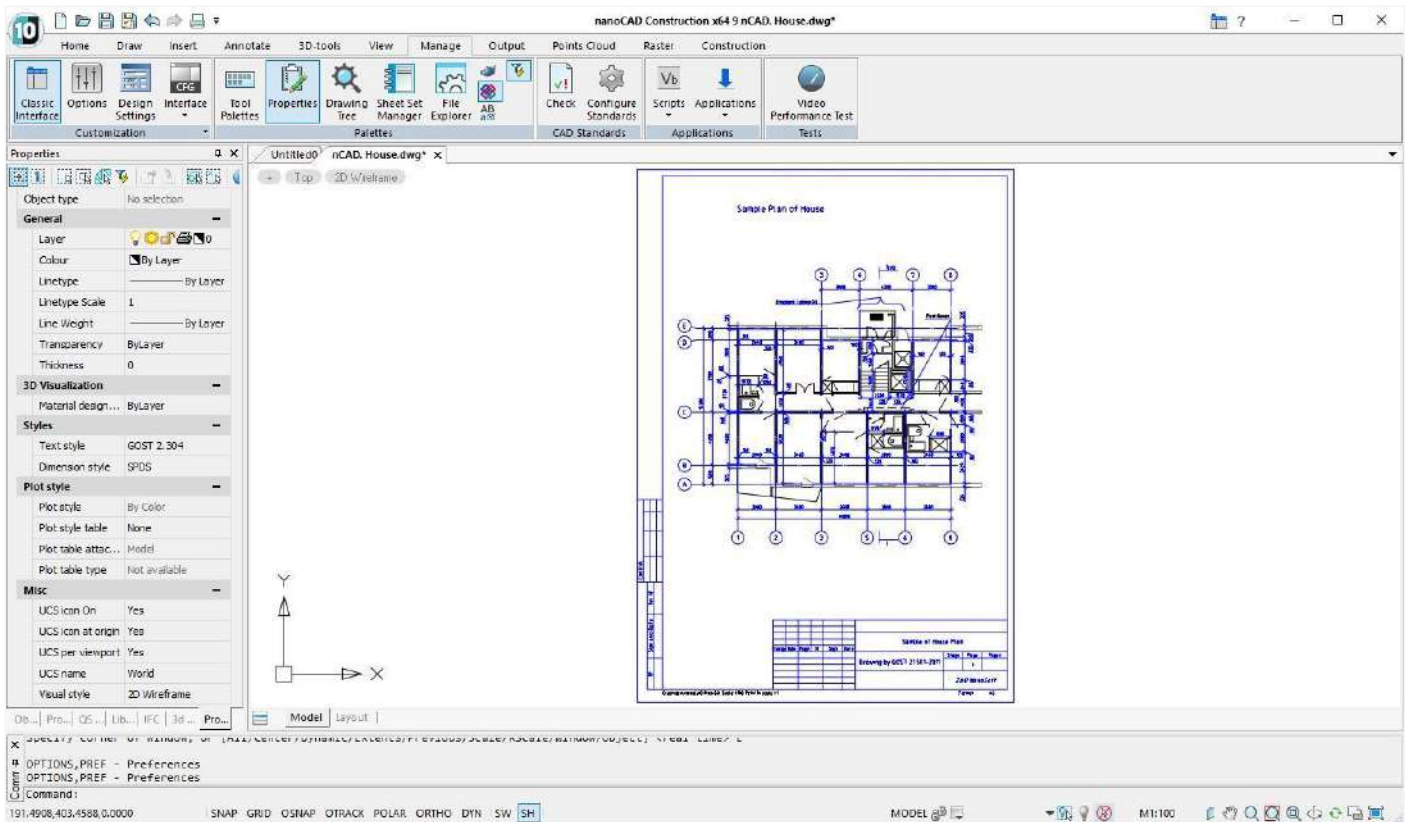




PLATFORM

nanoCAD Construction 9.0 is based on nanoCAD Plus 10.1 platform.

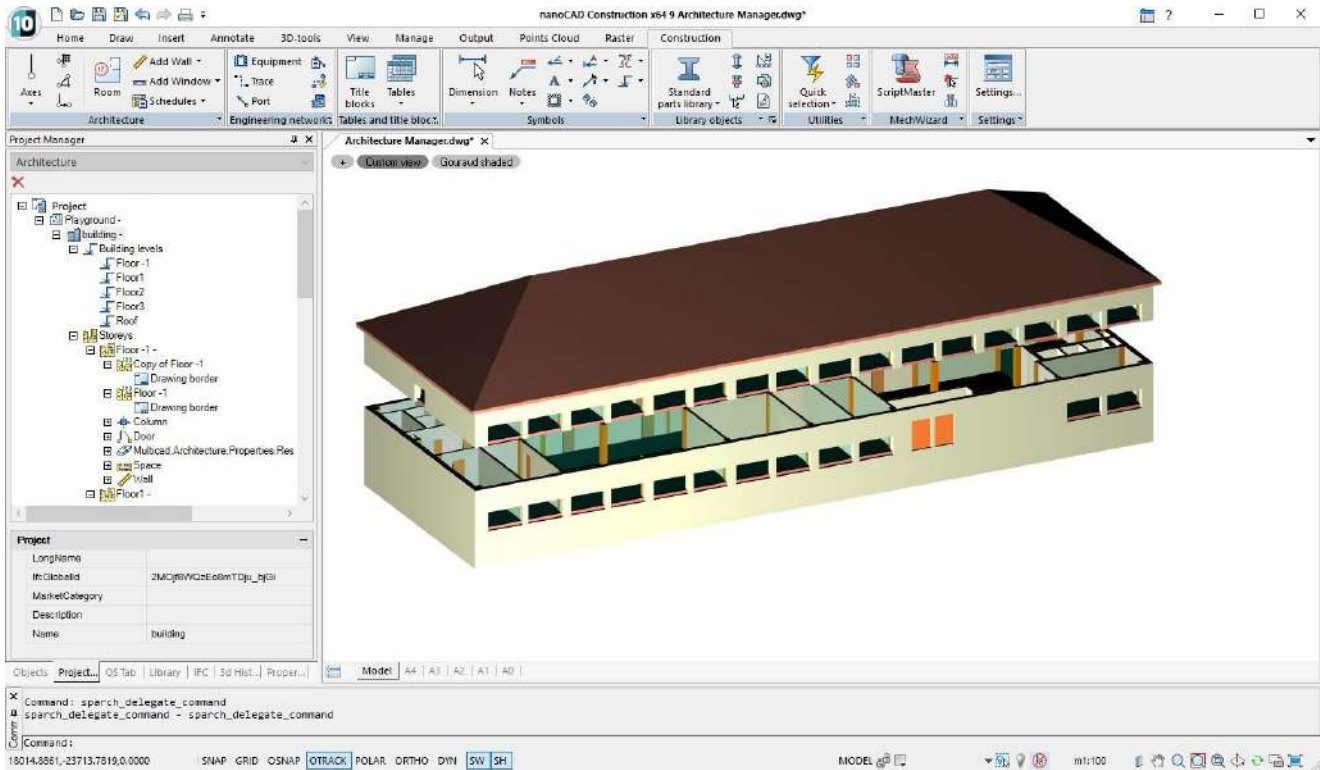


IFC

- IFC3/IFC4 format support implemented.
- Loaded IFC files can be reread. To update the IFC, you must click the 'Update IFC' button on the IFC panel.
- Implemented the merging of changes in different IFC-files while saving to the same file.

ARCHITECTURE MANAGER

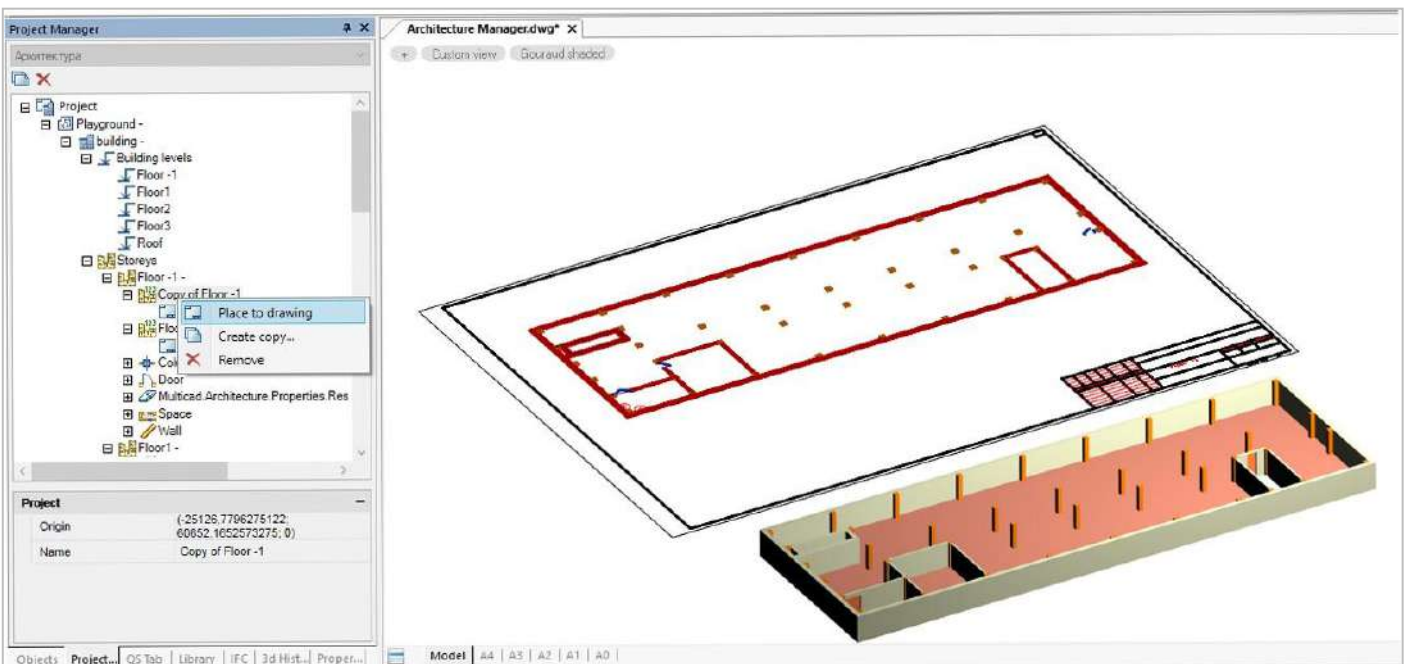
Architecture Project Manager is represented as a special tree on the functional toolbar. The architecture structure is automatically loaded when importing IFC data. Using the capabilities of this panel, user can view and edit the data of an IFC project: add a floor, a multi-layer structure, or change the style of an object.



nanoCAD Construction 9.0 is based on nanoCAD Plus 10.1 platform.

2D REPRESENTATION OF IFC OBJECTS ON PLANS

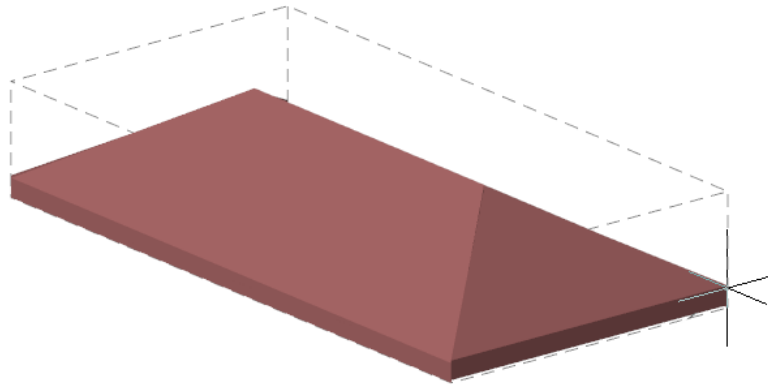
When importing BIM data, nanoCAD Construction converts IFC architecture objects (walls, columns, doors, windows, rooms, etc.) into nanoCAD Construction library objects. With just two clicks of the mouse, you can place ready-made floor plans of your object with recognized rooms on the drawing, while using regular tools of nanoCAD Construction you can get tabular reports (explications of rooms, columns lists, etc.)





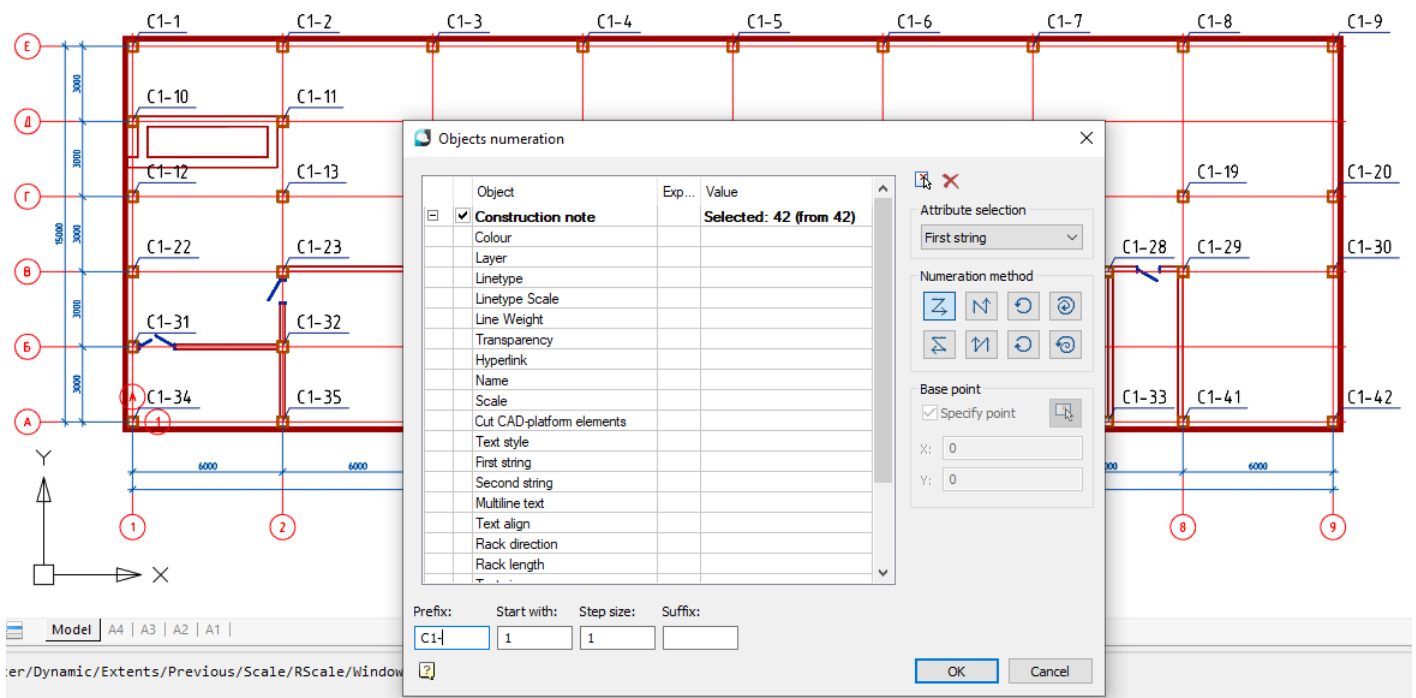
NEW ARCHITECTURAL OBJECTS

Two new architectural objects have been added to the program: a floor slab and a roof. They are available in the project manager and have a 3D view. Multi-layer styles can be applied to both objects.



ATTRIBUTES NUMBERING

Added command to automatically number attributes of objects. The command finds all specified objects with attributes and numbers it according to the specified algorithm. All objects that have text editable attributes (block, database object, universal marker, etc.) can be selected.



TABLES

Implemented controls to set separately color and thickness of lines and texts. Significantly accelerated the work with large tables (more than 1000 rows).



NEW LIBRARY ELEMENTS

New door elements:

- sliding door (gate) with opening in a niche;
- overhead gates;
- lift door (gate);
- folded door (s);
- sliding-folded door (gate);
- revolving door; etc.

Also added to the Library:

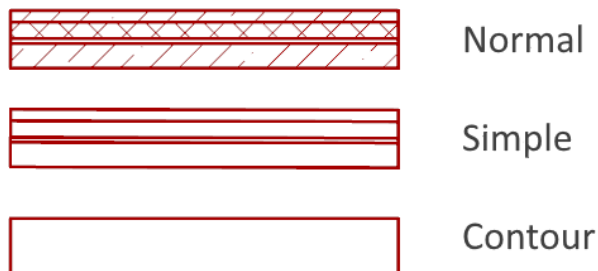
- Some I-beams steel elements.
- Ladders, platforms, step-ladders and steel fences for industrial buildings of industrial enterprises
- Symbols of elements of sanitary systems
- Base bolts
- Steel sheet profiles

TECHNICAL REQUIREMENTS

Strikethrough text has been added to the technical requirements and specifications dialogue.

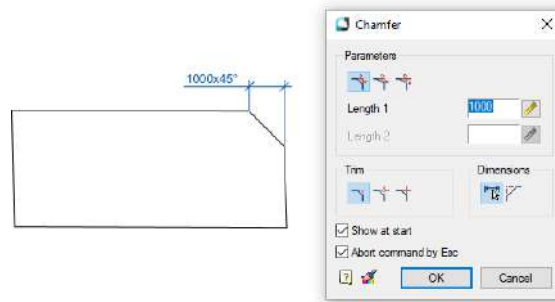
WALLS

Added command to create a polygonal wall. Wall can be created with the PPOLYWALLADD command. Implemented a new view of the wall - simplified. Selecting this presentation option displays the contours of the wall materials.



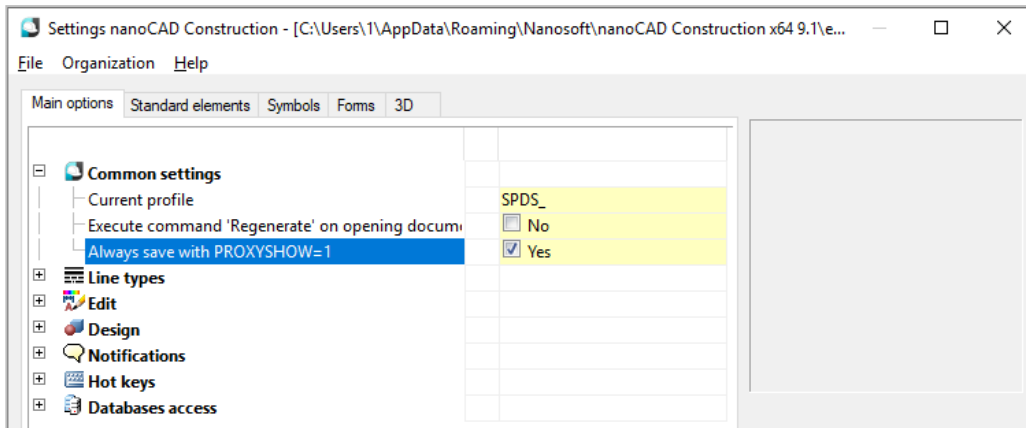
CHAMFER COMMAND

Changed the principle of work with the 'Chamfer' command.



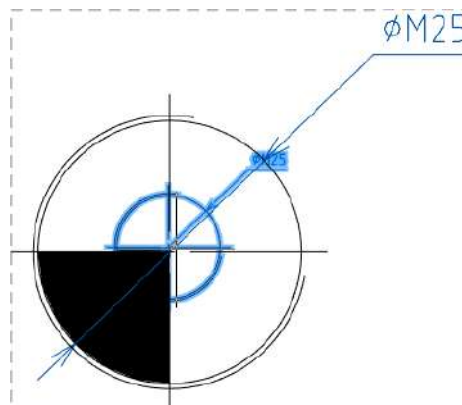
GENERAL SETTINGS

Added global parameter for forced saving of **PROXYGRAPHICS** system variable.



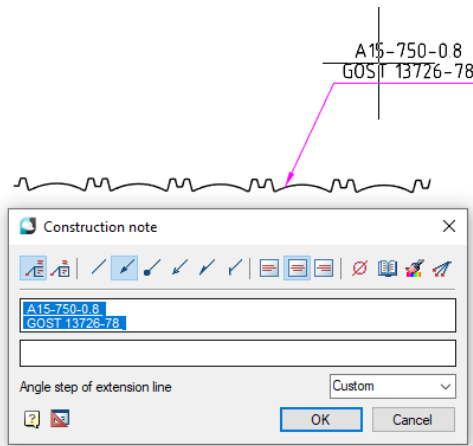
OBJECT "HOLE"

Now you can apply the Scale command to the Hole object.



MTEXT IN CALLOUTS

Implemented support for multi-line text (**MTEXT**) in callouts. In the nanoCAD Construction callouts, you can now create multi-line text using the keyboard shortcut **Ctrl + Enter** to create a new line.

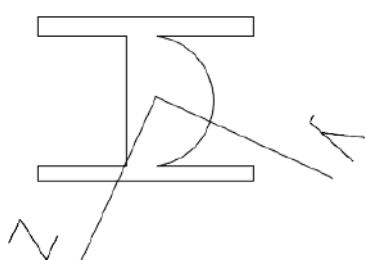
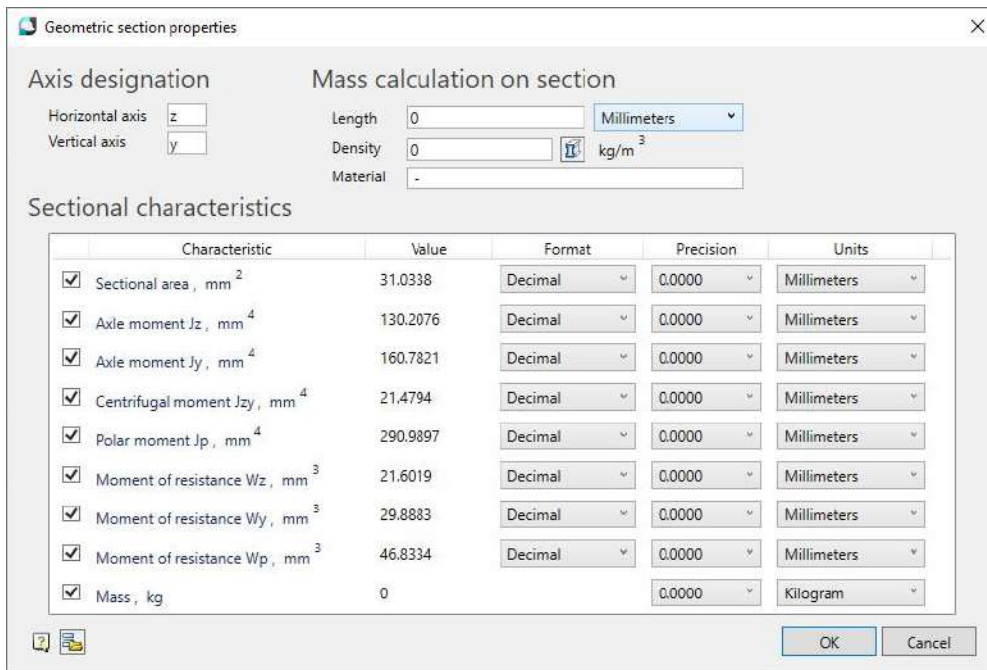


AREA MARKER

Added an additional space marker "Area", showing only the area value.

GEOMETRIC SECTION SPECIFICATIONS (SPGCS) COMMAND

Revised **Geometric Section Specifications (SPGCS)** command. Now it is possible to assign independently axes with respect to which section parameters will be calculated, and in new window Geometric section properties a format, accuracy and units of measurement of selected sectional characteristics can be adjusted.



Parameter	Value	Units
Sectional area	310338	mm ²
Axle moment Jz	130.2076	mm ⁴
Axle moment Jy	160.7821	mm ⁴
Centrifugal moment Jzy	214.794	mm ⁴
Polar moment Jp	290.9897	mm ⁴
Moment of resistance Wz	21.6019	mm ³
Moment of resistance Wy	29.8883	mm ³
Moment of resistance Wp	46.8334	mm ³
Mass	0	kg



ADDED AND REWRITTEN

- A new editor of technical requirements and technical characteristics has been implemented, in which it is possible to create multilevel lists, numbering without a dot after the point and editing text indents.
- Created setting the value of the lower field format. You can set it in the menu of Construction > Settings > Forms > Formats > Indent of the lower frame.
- Amendments to the work of callouts, texts, objects of architecture, database, etc
- Significant number of errors were corrected